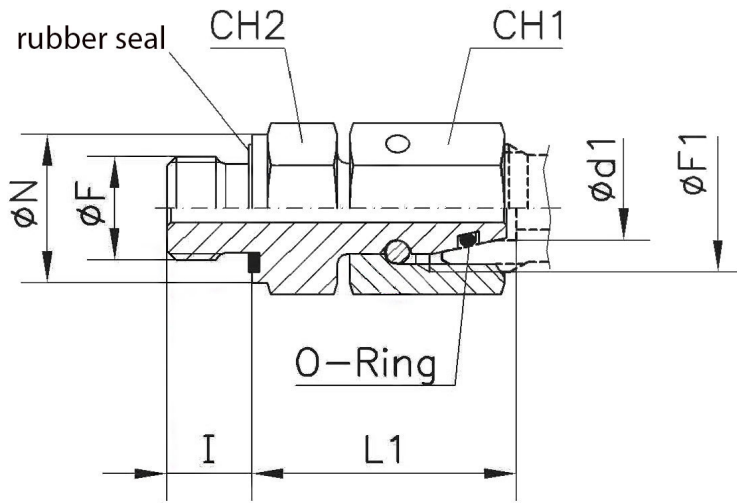


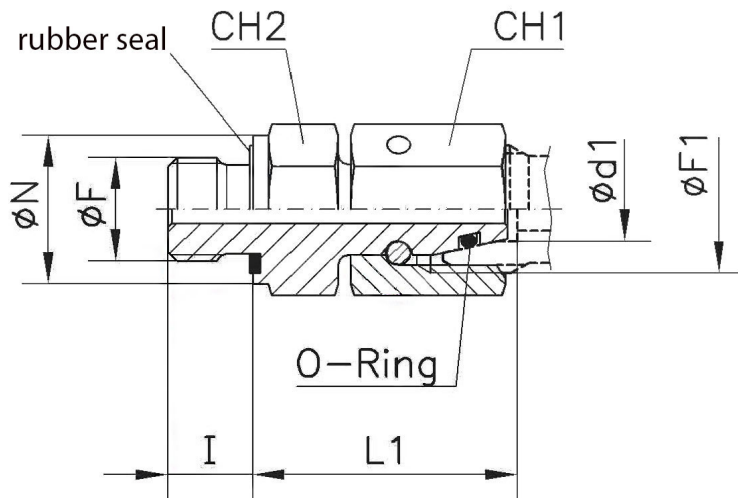
Material galvanised steel (DIN 2353)



EGE146SSTKEG

### Adjustable male connector with cone seal, 360° swivel range, metric thread, heavy type

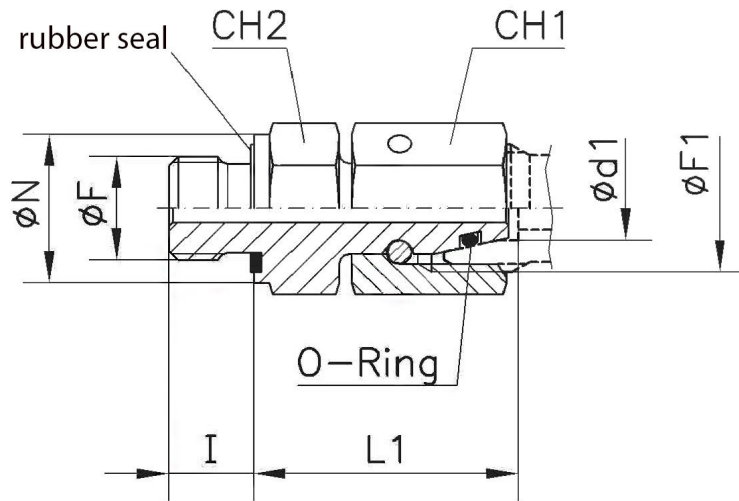
Art. No.	Type No.	Thread Ø F mm	Tube O.D. mm	Ø N mm	Ø F1 mm	O-ring	L1 mm	I mm	CH1 mm	CH2 mm	PN bar
158897	EGE146SSTKEG	G 1/4	6	19	M14x1.5	4.0x1.5	27.0	12	17	19	630
158898	EGE148SSTKEG	G 1/4	8	19	M16x1.5	6.0x1.5	29.5	12	19	19	630
158899	EGE3810SSTKEG	G 3/8	10	22	M18x1.5	7.5x1.5	32.0	12	22	22	630
158900	EGE3812SSTKEG	G 3/8	12	22	M20x1.5	9.0x1.5	34.0	12	24	22	630
158901	EGE1214SSTKEG	G 1/2	14	27	M22x1.5	10.0x2.0	36.5	14	27	27	630
158902	EGE1216SSTKEG	G 1/2	16	27	M24x1.5	12.0x2.0	37.0	14	30	27	400
155903	EGE3420SSTKEG	G 3/4	20	32	M30x2.0	16.3x2.4	43.0	16	36	32	400
158904	EGE125SSTKEG	G 1	25	40	M36x2.0	20.3x2.4	48.0	18	46	41	400



EGEM106LSTKEG

### Adjustable male connector with cone seal, metric thread, light type

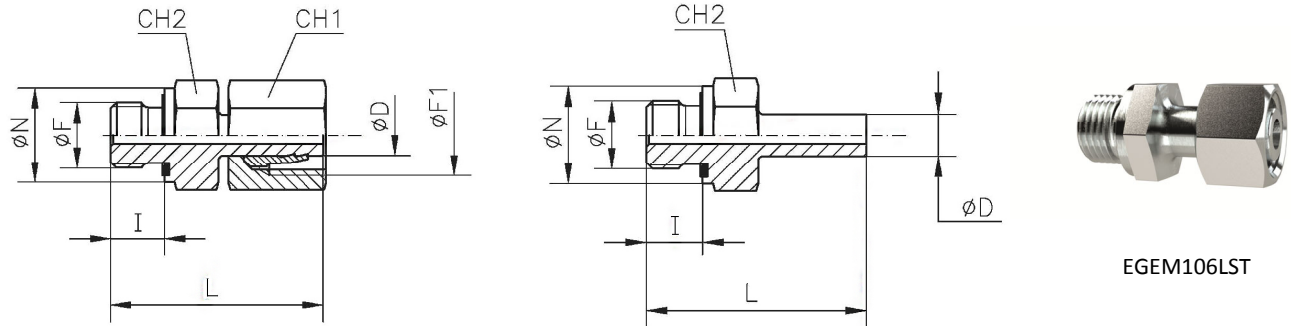
Art. No.	Type No.	Thread $\varnothing F$ mm	Tube O.D. mm	$\varnothing N$ mm	$\varnothing F1$ mm	O-ring	L1 mm	I mm	CH1 mm	CH2 mm	PN bar
158905	EGEM106LSTKEG	M10x1.0	6	14	M12x1.5	4.0x1.5	24.5	8	14	14	315
158906	EGEM128LSTKEG	M12x1.5	8	17	M14x1.5	6.0x1.5	26.5	12	17	17	315
158907	EGEM1410LSTKEG	M14x1.5	10	19	M16x1.5	7.5x1.5	27.5	12	19	19	315
158908	EGEM1612LSTKEG	M16x1.5	12	22	M18x1.5	9.0x1.5	30.5	12	22	22	315
158909	EGEM1815LSTKEG	M18x1.5	15	24	M22x1.5	12.0x2.0	31.5	12	27	24	315
158910	EGEM2218LSTKEG	M22x1.5	18	27	M26x1.5	15.0x2.0	31.5	14	32	27	315
155911	EGEM2622LSTKEG	M26x1.5	22	32	M30x2.0	20.0x2.0	32.5	16	36	32	160
158912	EGEM3328LSTKEG	M33x2.0	28	40	M36x2.0	26.0x2.0	35.0	18	41	41	160



EGEM126SSTKEG

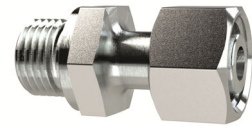
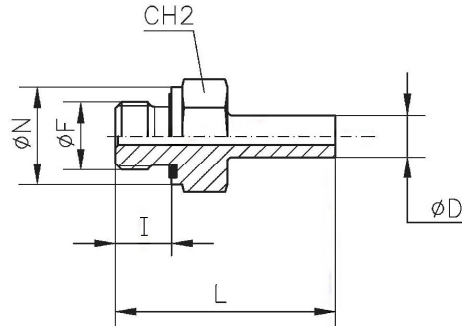
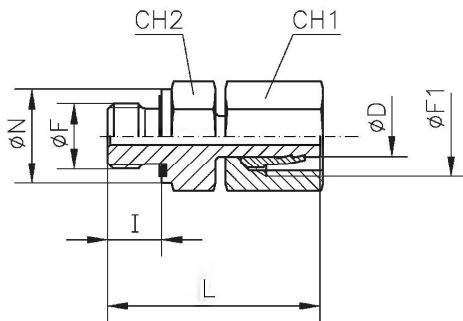
### Adjustable male connector with cone seal, metric thread, heavy type

Art. No.	Type No.	Thread Ø F mm	Tube O.D. mm	Ø N mm	Ø F1 mm	O-ring	L1 mm	I mm	CH1 mm	CH2 mm	PN bar
158913	EGEM126SSTKEG	M12x1.5	6	17	M14x1.5	4.0x1.5	27.0	12	17	17	630
158914	EGEM148SSTKEG	M14x1.5	8	19	M16x1.5	6.0x1.5	29.5	12	19	19	630
158915	EGEM1610SSTKEG	M16x1.5	10	22	M18x1.5	7.5x1.5	32.0	12	22	22	630
158916	EGEM1812SSTKEG	M18x1.5	12	24	M20x1.5	9.0x1.5	34.0	12	24	24	630
158917	EGEM2014SSTKEG	M20x1.5	14	26	M22x1.5	10.0x2.0	36.5	14	27	27	630
158918	EGEM2216SSTKEG	M22x1.5	16	27	M24x1.5	12.0x2.0	37.0	14	30	27	400
155919	EGEM2720SSTKEG	M27x2.0	20	32	M30x2.0	16.3x2.4	43.0	16	36	32	400
158920	EGEM3325SSTKEG	M33x2.0	25	40	M36x2.0	20.3x2.4	48.0	18	46	41	400



### Adjustable male connector, metric thread, light type

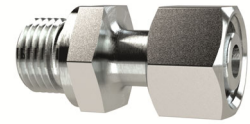
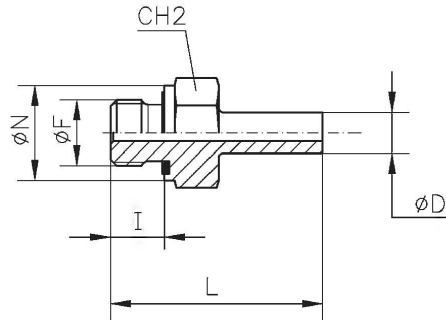
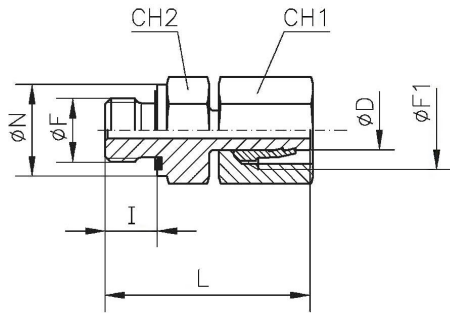
Art. No.	Type No.	Thread Ø F mm	Tube O.D. mm	Ø N mm	Ø F1 mm	Ø D	L mm	I mm	CH1 mm	CH2 mm	PN bar
158921	EGEM106LST	M10x1.0	6	14	M12x1.5	6	32.5	8	14	14	315
158922	EGEM128LST	M12x1.5	8	17	M14x1.5	8	38.5	12	17	17	315
158923	EGEM1410LST	M14x1.5	10	19	M16x1.5	10	39.0	12	19	19	315
158924	EGEM1612LST	M16x1.5	12	22	M18x1.5	12	42.5	12	22	22	315
158925	EGEM1815LST	M18x1.5	15	24	M22x1.5	15	43.5	12	27	24	315
158926	EGEM2218LST	M22x1.5	18	27	M26x1.5	18	45.5	14	32	27	315
155927	EGEM2622LST	M26x1.5	22	32	M30x2.0	22	48.5	16	36	32	160
158928	EGEM3328LST	M33x2.0	28	40	M36x2.0	28	53.5	18	41	41	160



EGEM126SST

### Adjustable male connector, metric thread, heavy type

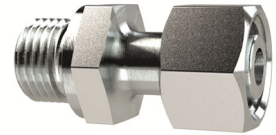
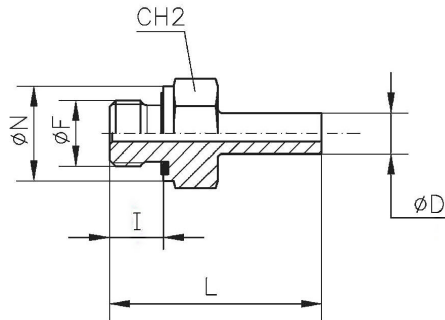
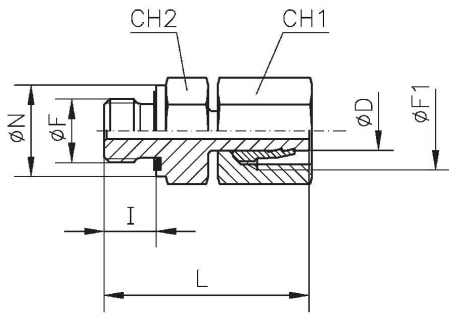
Art. No.	Type No.	Thread Ø F mm	Tube O.D. mm	Ø N mm	Ø F1 mm	Ø D	L mm	I mm	CH1 mm	CH2 mm	PN bar
158929	EGEM126SST	M12x1.5	6	17	M14x1.5	6	39.0	12	17	17	630
158930	EGEM148SST	M14x1.5	8	19	M16x1.5	8	41.5	12	19	19	630
158931	EGEM1610SST	M16x1.5	10	22	M18x1.5	10	44.0	12	22	22	630
158932	EGEM1812SST	M18x1.5	12	24	M20x1.5	12	46.0	12	24	24	630
158933	EGEM2014SST	M20x1.5	14	26	M22x1.5	14	50.5	14	27	27	630
158934	EGEM2216SST	M22x1.5	16	27	M24x1.5	16	51.0	14	30	27	400
155935	EGEM2720SST	M27x2.0	20	32	M30x2.0	20	59.0	16	36	32	400
158936	EGEM3325SST	M33x2.0	25	40	M36x2.0	25	66.0	18	46	41	400



EGE186LST

### Adjustable male connector, parallel thread, light type

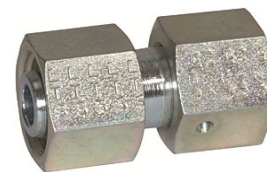
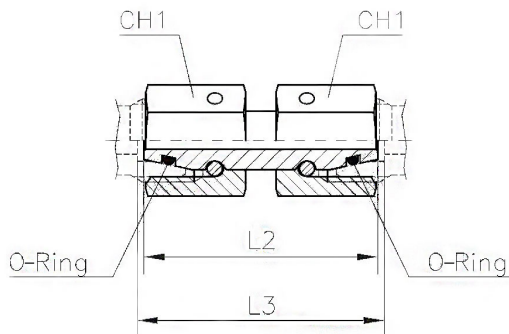
Art. No.	Type No.	Thread Ø F mm	Tube O.D. mm	Ø N mm	Ø F1 mm	Ø D	L mm	I mm	CH1 mm	CH2 mm	PN bar
158937	EGE186LST	G 1/8	6	14	M12x1.5	6	32.5	8	14	14	315
158938	EGE148LST	G 1/4	8	19	M14x1.5	8	41.5	12	17	19	315
158939	EGE1410LST	G 1/4	10	19	M16x1.5	10	39.5	12	19	19	315
158940	EGE3812LST	G 3/8	12	22	M18x1.5	12	46.0	12	22	22	315
158941	EGE1412LST	G 1/4	12	19	M18x1.5	12	46.0	12	22	19	315
158942	EGE1212LST	G 1/2	12	27	M18x1.5	12	48.5	14	22	27	315
155943	EGE1215LST	G 1/2	15	27	M22x1.5	15	46.0	14	27	27	315
158944	EGE1218LST	G 1/2	18	27	M26x1.5	18	45.5	14	32	27	315
158945	EGE3422LST	G 3/4	22	32	M30x2.0	22	48.5	16	36	32	160
158946	EGE128LST	G 1	28	40	M36x2.0	28	53.0	18	41	41	160



EGE146SST

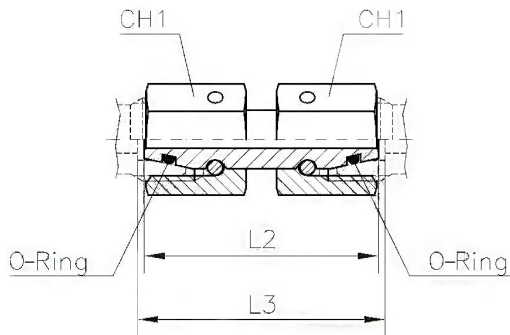
### Adjustable male connector, parallel thread, heavy type

Art. No.	Type No.	Thread Ø F mm	Tube O.D. mm	Ø N mm	Ø F1 mm	Ø D	L mm	I mm	CH1 mm	CH2 mm	PN bar
158947	EGE146SST	G 1/4	6	19	M14x1.5	6	39.0	12	17	19	630
158948	EGE148SST	G 1/4	8	19	M16x1.5	8	41.5	12	19	19	630
158949	EGE3810SST	G 3/8	10	22	M18x1.5	10	44.5	12	22	22	630
158950	EGE1212SST	G 1/2	12	27	M20x1.5	12	49.5	14	24	27	630
158951	EGE3812SST	G 3/8	12	22	M20x1.5	12	46.0	12	24	22	630
158952	EGE1214SST	G 1/2	14	27	M22x1.5	14	51.0	14	27	27	630
155953	EGE1216SST	G 1/2	16	27	M24x1.5	16	50.5	14	30	27	400
158954	EGE3420SST	G 3/4	20	32	M30x2.0	20	59.0	16	36	32	400
158955	EGE125SST	G 1	25	40	M36x2.0	25	66.0	18	46	41	400



### Adjustable union with cone seal, 360° swivel range, light type

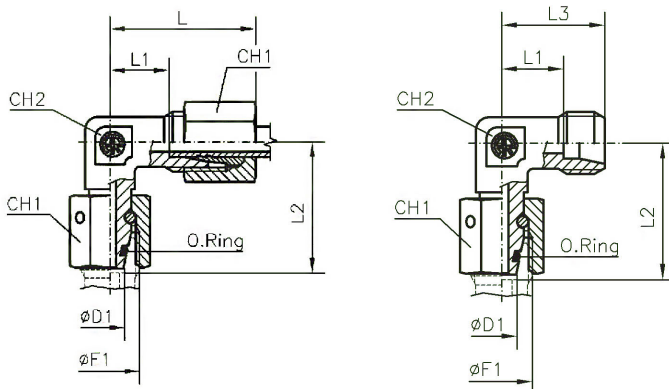
Art. No.	Type No.	Tube O.D. mm	O-ring mm	L2 mm	L3 mm	CH1 mm	PN bar
158956	EGV28LST	28	26x2.0	47	48	41	160



EGV6SST

### Adjustable union with cone seal, 360° swivel range, heavy type

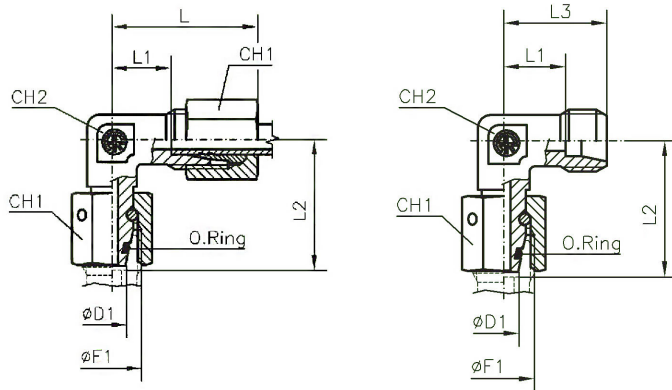
Art. No.	Type No.	Tube O.D. mm	O-ring mm	L2 mm	L3 mm	CH1 mm	PN bar
158957	EGV6SST	6	4.0x1.5	37	38	17	630
158958	EGV8SST	8	6.0x1.5	37	38	19	630
158959	EGV10SST	10	7.5x1.5	41	43	22	630
158960	EGV12SST	12	9.0x1.5	42	44	24	630
158961	EGV14SST	14	10.0x2.0	45	48	27	630
158962	EGV16SST	16	12.0x2.0	46	49	30	400
158963	EGV20SST	20	16.3x2.4	55	59	36	400
158964	EGV25SST	25	20.3x2.4	58	65	46	400



### Adjustable union elbow with cone seal, 360° swivel range, light type

Art. No.	Type No.	Tube O.D. mm	Ø F1 mm	O-ring mm	L mm	L1 mm	L2 mm	L3 mm	CH1 mm	CH2 mm	PN bar
158965	EWVM3628LST	28	M36x2.0	26x2.0	47	30.5	41.5	38	41	36	160

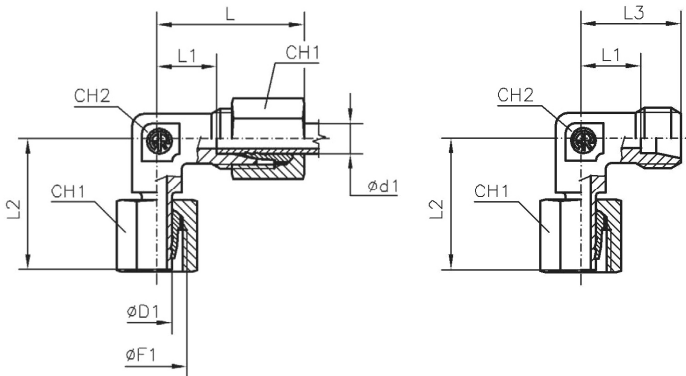




EWVM146SST

### Adjustable union elbow with cone seal, 360° swivel range, heavy type

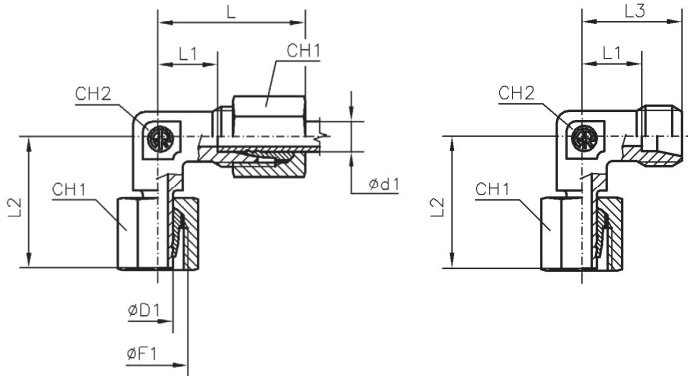
Art. No.	Type No.	Tube O.D. mm	Ø F1 mm	O-ring mm	L mm	L1 mm	L2 mm	L3 mm	CH1 mm	CH2 mm	PN bar
158966	EWVM146SST	6	M14x1.5	4.0x1.5	31	16.0	27.0	23	17	12	630
158967	EWVM168SST	8	M16x1.5	6.0x1.5	32	17.0	27.5	24	19	14	630
158968	EWVM1810SST	10	M18x1.5	7.5x1.5	34	17.5	30.0	25	22	17	630
158969	EWVM2012SST	12	M20x1.5	9.0x1.5	38	21.5	31.0	29	24	17	630
158970	EWVM2214SST	14	M22x1.5	10.0x2.0	40	22.0	35.0	30	27	19	630
158971	EWVM2416SST	16	M24x1.5	12.0x2.0	43	24.5	36.5	33	30	24	400
158972	EWVM3020SST	20	M30x2.0	16.3x2.4	48	26.5	44.5	37	36	27	400
158973	EWVM3625SST	25	M36x2.0	20.3x2.4	54	30.0	50.0	42	46	36	400



EWAVM126LST

### Adjustable angled screw connection with cone seal, 360° swivel range, light type

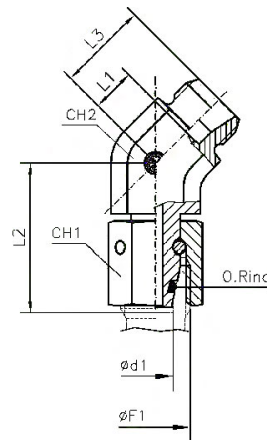
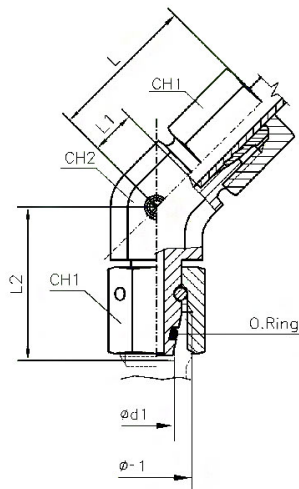
Art. No.	Type No.	Tube O.D. mm	Ø F1 mm	Ø D1 mm	L mm	L1 mm	L2 mm	L3 mm	CH1 mm	CH2 mm	PN bar
158974	EWAVM126LST	6	M12x1.5	6	27	12.0	26.0	19	14	12	315
158975	EWAVM148LST	8	M14x1.5	8	29	14.0	27.5	21	17	12	315
158976	EWAVM1610LST	10	M16x1.5	10	30	15.0	29.0	22	19	14	315
158977	EWAVM1812LST	12	M18x1.5	12	32	17.0	29.5	24	22	17	315
158978	EWAVM2215LST	15	M22x1.5	15	36	21.0	32.5	28	27	19	315
158979	EWAVM2618LST	18	M26x1.5	18	40	23.5	35.5	31	32	24	315
158980	EWAVM3022LST	22	M30x2.0	22	44	27.5	38.5	35	36	27	160
158981	EWAVM3628LST	28	M36x2.0	28	47	30.5	41.5	38	41	36	160



EWAVM146SST

### Adjustable angled screw connection with cone seal, 360° swivel range, heavy type

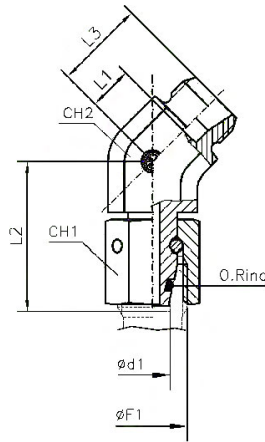
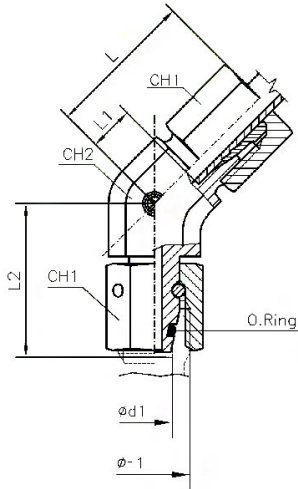
Art. No.	Type No.	Tube O.D. mm	$\phi F1$ mm	$\phi D1$ mm	L mm	L1 mm	L2 mm	L3 mm	CH1 mm	CH2 mm	PN bar
158982	EWAVM146SST	6	M14x1.5	6	31	16.0	27.0	23	17	12	630
158983	EWAVM168SST	8	M16x1.5	8	32	17.0	27.5	24	19	14	630
158984	EWAVM1810SST	10	M18x1.5	10	34	17.5	30.0	25	22	17	630
158985	EWAVM2012SST	12	M20x1.5	12	38	21.5	31.0	29	24	17	630
158986	EWAVM2214SST	14	M22x1.5	14	40	22.0	35.0	30	27	19	630
158987	EWAVM2416SST	16	M24x1.5	16	43	24.5	36.5	33	30	24	400
158988	EWAVM3020SST	20	M30x2.0	20	48	26.5	44.5	37	36	27	400
158989	EWAVM3625SST	25	M36x2.0	25	54	30.0	50.0	42	46	36	400



EWAVM126LST45

**Adjustable 45° screw connection, with cone seal, 360° swivel range, light type**

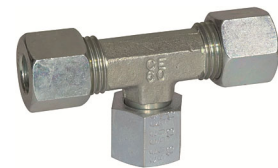
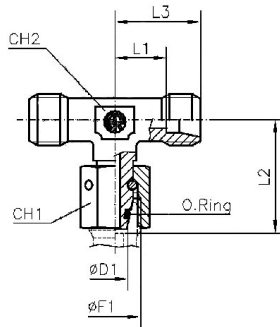
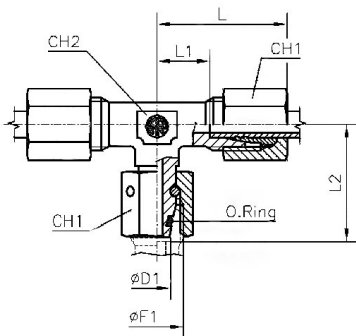
Art. No.	Type No.	Tube O.D. mm	$\varnothing$ F1 mm	O-ring mm	L mm	L1 mm	L2 mm	L3 mm	CH1 mm	CH2 mm	PN bar
158990	EWAVM126LST45	6	M12x1.5	4.0x1.5	27	12.0	26.0	20.0	14	12	315
158991	EWAVM148LST45	8	M14x1.5	6.0x1.5	29	14.0	27.5	21.0	17	12	315
158992	EWAVM1610LST45	10	M16x1.5	7.5x1.5	30	15.0	29.0	22.5	19	14	315
158993	EWAVM1812LST45	12	M18x1.5	9.0x1.5	32	17.0	29.5	24.0	22	17	315
158994	EWAVM2215LST45	15	M22x1.5	12.0x2.0	36	21.0	32.5	28.0	27	19	315
158995	EWAVM2618LST45	18	M26x1.5	15.0x2.0	40	23.5	35.5	31.0	32	24	315
158996	EWAVM3022LST45	22	M30x2.0	20.0x2.0	44	27.5	38.5	35.0	36	37	160
158997	EWAVM3628LST45	28	M36x2.0	26.0x2.0	47	30.5	41.5	38.0	41	36	160



EWAVM146SST45

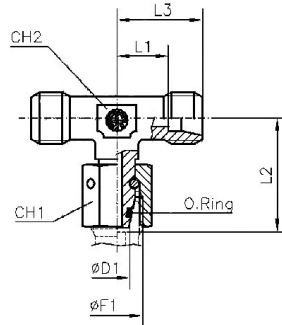
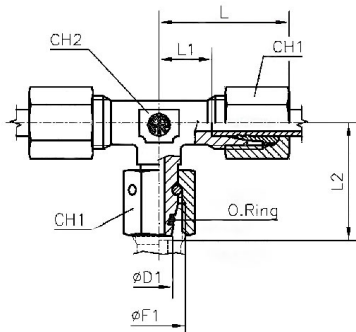
### Adjustable 45° screw connection, with cone seal, 360° swivel range, heavy type

Art. No.	Type No.	Tube O.D. mm	$\phi$ F1 mm	O-ring mm	L mm	L1 mm	L2 mm	L3 mm	CH1 mm	CH2 mm	PN bar
158998	EWAVM146SST45	6	M14x1.5	4.0x1.5	31	16.0	27.0	23	17	12	630
158999	EWAVM168SST45	8	M16x1.5	6.0x1.5	32	17.0	27.5	24	19	14	630
159000	EWAVM1810SST45	10	M18x1.5	7.5x1.5	34	17.5	30.0	25	22	17	630
159001	EWAVM2012SST45	12	M20x1.5	9.0x1.5	38	21.5	31.0	29	24	17	630
159002	EWAVM2214SST45	14	M22x1.5	10.0x2.0	40	22.0	35.0	30	27	19	630
159003	EWAVM2416SST45	16	M24x1.5	12.0x2.0	43	24.5	36.5	33	30	24	400
159004	EWAVM3020SST45	20	M30x2.0	16.3x2.4	48	26.5	44.5	37	36	27	400
159005	EWAVM3625SST45	25	M36x2.0	20.3x2.4	54	30.0	50.0	42	46	36	400



### Adjustable branch tee with cone seal, 360° swivel range, light type

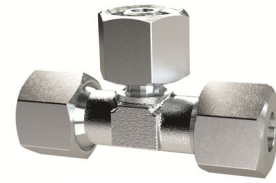
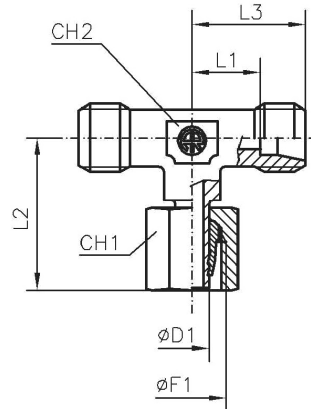
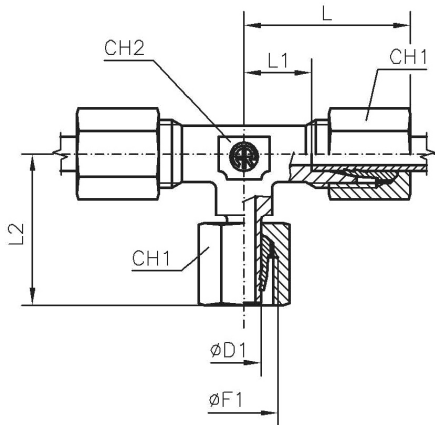
Art. No.	Type No.	Tube O.D. mm	$\phi$ F1 mm	O-ring mm	L mm	L1 mm	L2 mm	L3 mm	CH1 mm	CH2 mm	PN bar
159006	ETVM3628LST	28	M36x2.0	26x2.0	47	30.5	41.5	38	41	36	160



ETVM146SST

### Adjustable branch tee with cone seal, 360° swivel range, heavy type

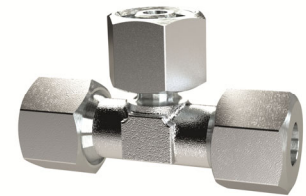
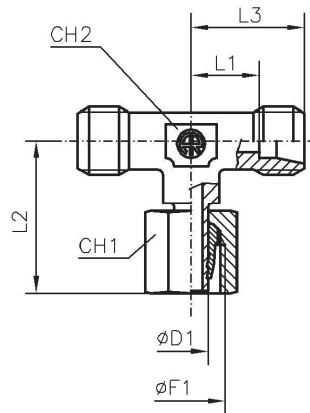
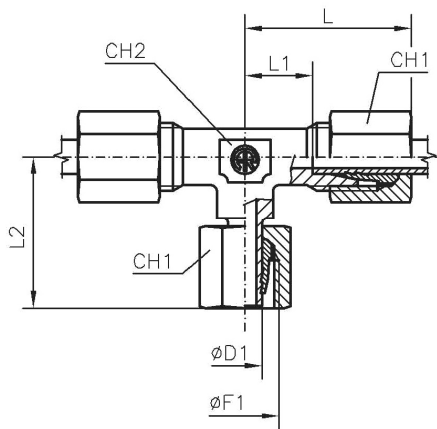
Art. No.	Type No.	Tube O.D. mm	Ø F1 mm	O-ring mm	L mm	L1 mm	L2 mm	L3 mm	CH1 mm	CH2 mm	PN bar
159007	ETVM146SST	6	M14x1.5	4.0x1.5	31	16.0	27.0	23	17	12	630
159008	ETVM168SST	8	M16x1.5	6.0x1.5	32	17.0	27.5	24	19	14	630
159009	ETVM1810SST	10	M18x1.5	7.5x1.5	34	17.5	30.0	25	22	17	630
159010	ETVM2012SST	12	M20x1.5	9.0x1.5	38	21.5	31.0	29	24	17	630
159011	ETVM2214SST	14	M22x1.5	10.0x2.0	40	22.0	35.0	30	27	19	630
159012	ETVM2416SST	16	M24x1.5	12.0x2.0	43	24.5	36.5	33	30	24	400
159013	ETVM3020SST	20	M30x2.0	16.3x2.4	48	26.5	44.5	37	36	27	400
159014	ETVM3625SST	25	M36x2.0	20.3x2.4	54	30.0	50.0	42	46	36	400



ETAV6LST

### Adjustable T screw fitting, with cone seal, 360° swivel range, light type

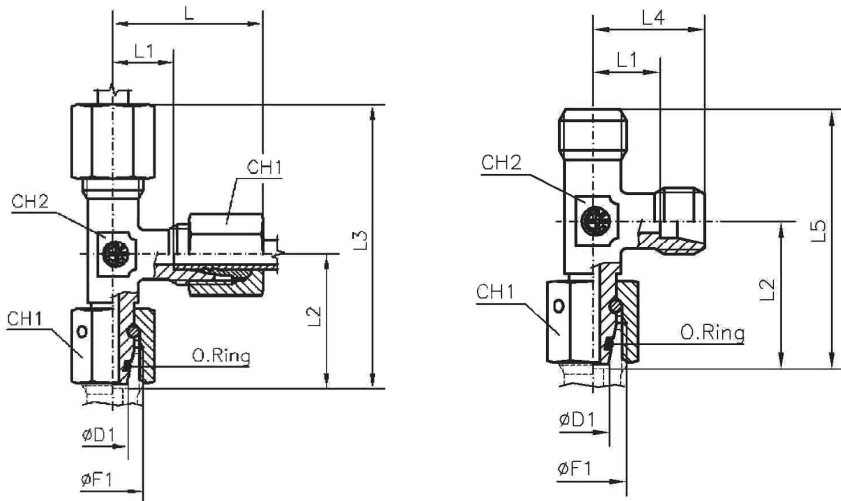
Art. No.	Type No.	Tube O.D. mm	$\varnothing F1$ mm	$\varnothing D1$ mm	L mm	L1 mm	L2 mm	L3 mm	CH1 mm	CH2 mm	PN bar
159015	ETAV6LST	6	M12x1.5	6	27	12.0	26.0	19	14	12	315
159016	ETAV8LST	8	M14x1.5	8	29	14.0	27.5	21	17	12	315
159017	ETAV10LST	10	M16x1.5	10	30	15.0	29.0	22	19	14	315
159018	ETAV12LST	12	M18x1.5	12	32	17.0	29.5	24	22	17	315
159019	ETAV15LST	15	M22x1.5	15	36	21.0	32.5	28	27	19	315
159020	ETAV18LST	18	M26x1.5	18	40	23.5	35.5	31	32	24	315
159021	ETAV22LST	22	M30x2.0	22	44	27.5	38.5	35	36	27	160
159022	ETAV28LST	28	M36x2.0	28	47	30.5	41.5	38	41	36	160



ETAV6SST

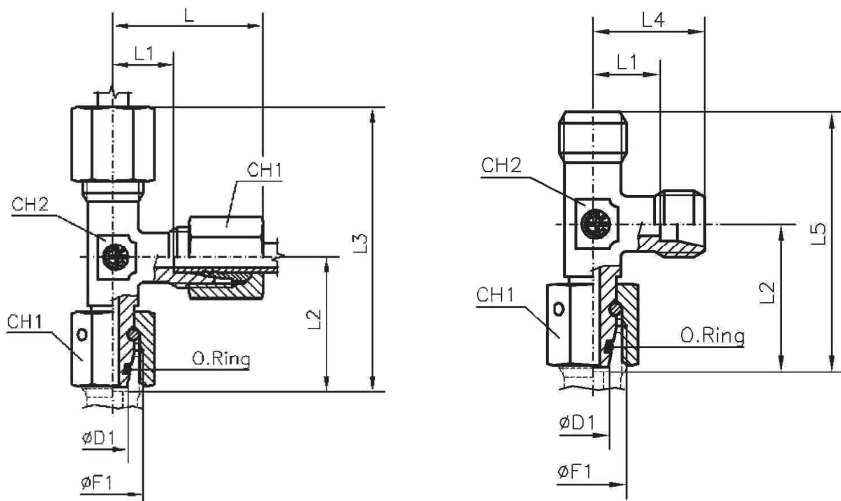
**Adjustable T screw fitting, with cone seal, 360° swivel range, heavy type**

Art. No.	Type No.	Tube O.D. mm	Ø F1 mm	Ø D1 mm	L mm	L1 mm	L2 mm	L3 mm	CH1 mm	CH2 mm	PN bar
159023	ETAV6SST	6	M14x1.5	6	31	16.0	27.0	23	17	12	630
159024	ETAV8SST	8	M16x1.5	8	32	17.0	27.5	24	19	14	630
159025	ETAV10SST	10	M18x1.5	10	34	17.5	30.0	25	22	17	630
159026	ETAV12SST	12	M20x1.5	12	38	21.5	31.0	29	24	17	630
159027	ETAV14SST	14	M22x1.5	14	40	22.0	35.0	30	27	19	630
159028	ETAV16SST	16	M24x1.5	16	43	24.5	36.5	33	30	24	400
159029	ETAV20SST	20	M30x2.0	20	48	26.5	44.5	37	36	27	400
159030	ETAV25SST	25	M36x2.0	25	54	30.0	50.0	42	46	36	400



### Adjustable run tee with cone seal, 360° swivel range, light type

Art. No.	Type No.	Tube O.D. mm	Ø F1 mm	O-ring mm	L mm	L1 mm	L2 mm	L3 mm	L4 mm	L5 mm	CH1 mm	CH2 mm	PN bar
159031	ELV28LST	28	M36x2.0	26x2.0	47	30.5	41.5	89	38	79.5	41	36	160

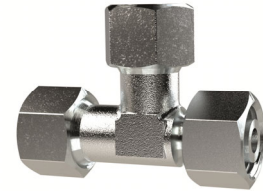
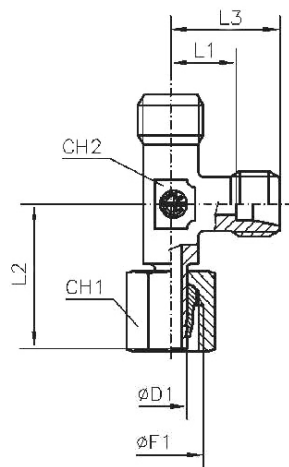
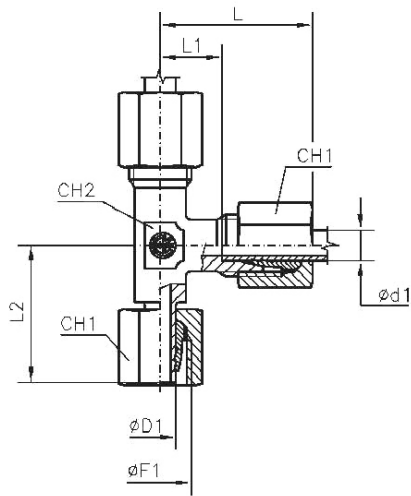


ELV6SST

### Adjustable run tee with cone seal, 360° swivel range, heavy type

Art. No.	Type No.	Tube O.D. mm	Ø F1 mm	O-ring mm	L mm	L1 mm	L2 mm	L3 mm	L4 mm	L5 mm	CH1 mm	CH2 mm	PN bar
159032	ELV6SST	6	M14x1.5	4.0x1.5	31	16.0	27.0	58.0	23	50.0	17	12	630
159033	ELV8SST	8	M16x1.5	6.0x1.5	32	17.0	27.5	59.0	24	51.5	19	14	630
159034	ELV10SST	10	M18x1.5	7.5x1.5	34	17.5	30.0	64.0	25	55.0	22	17	630
159035	ELV12SST	12	M20x1.5	9.0x1.5	38	21.5	31.0	69.0	29	60.0	24	17	630
159036	ELV14SST	14	M22x1.5	10.0x2.0	40	22.0	35.0	75.0	30	65.0	27	19	630
159037	ELV16SST	16	M24x1.5	12.0x2.0	43	24.5	36.5	79.0	33	69.5	30	24	400
159038	ELV20SST	20	M30x2.0	16.3x2.4	48	26.5	44.5	93.0	37	81.5	36	27	400
159039	ELV25SST	25	M36x2.0	20.3x2.4	54	30.0	50.0	104	42	92.0	46	36	400

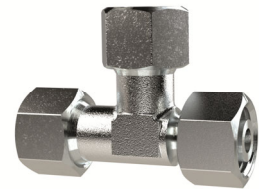
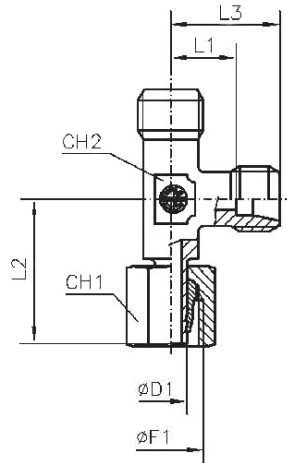
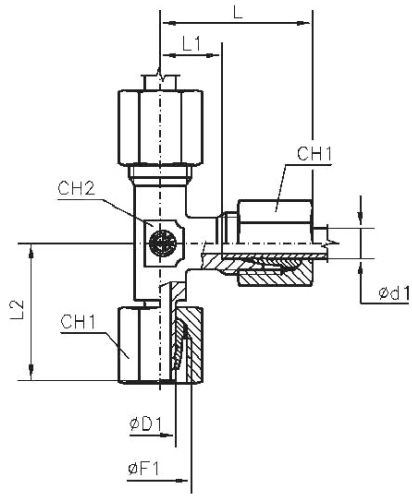




ELAV6LST

### Adjustable L screw connection, with cone seal, 360° swivel range, light type

Art. No.	Type No.	Tube O.D. mm	$\varnothing F1$ mm	$\varnothing D1$ mm	L mm	L1 mm	L2 mm	L3 mm	CH1 mm	CH2 mm	PN bar
159040	ELAV6LST	6	M12x1.5	6	27	12.0	26.0	19	14	12	315
159041	ELAV8LST	8	M14x1.5	8	29	14.0	27.5	21	17	12	315
159042	ELAV10LST	10	M16x1.5	10	30	15.0	29.0	22	19	14	315
159043	ELAV12LST	12	M18x1.5	12	32	17.0	29.5	24	22	17	315
159044	ELAV15LST	15	M22x1.5	15	36	21.0	32.5	28	27	19	315
159045	ELAV18LST	18	M26x1.5	18	40	23.5	35.5	31	32	24	315
159046	ELAV22LST	22	M30x2.0	22	44	27.5	38.5	35	36	27	160
159047	ELAV28LST	28	M36x2.0	28	47	30.5	41.5	38	41	36	160



ELAV6SST

**Adjustable L screw connection, with cone seal, 360° swivel range, heavy type**

Art. No.	Type No.	Tube O.D. mm	$\phi F1$ mm	$\phi D1$ mm	L mm	L1 mm	L2 mm	L3 mm	CH1 mm	CH2 mm	PN bar
159048	ELAV6SST	6	M14x1.5	6	31	16.0	27.0	23	17	12	630
159049	ELAV8SST	8	M16x1.5	8	32	17.0	27.5	24	19	14	630
159050	ELAV10SST	10	M18x1.5	10	34	17.5	30.0	25	22	17	630
159051	ELAV12SST	12	M20x1.5	12	38	21.5	31.0	29	24	17	630
159052	ELAV14SST	14	M22x1.5	14	40	22.0	35.0	30	27	19	630
159053	ELAV16SST	16	M24x1.5	16	43	24.5	36.5	33	30	24	400
159054	ELAV20SST	20	M30x2.0	20	48	26.5	44.5	37	36	27	400
159055	ELAV25SST	25	M36x2.0	25	54	30.0	50.0	42	46	36	400